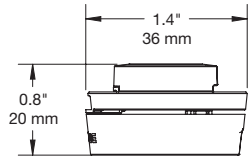
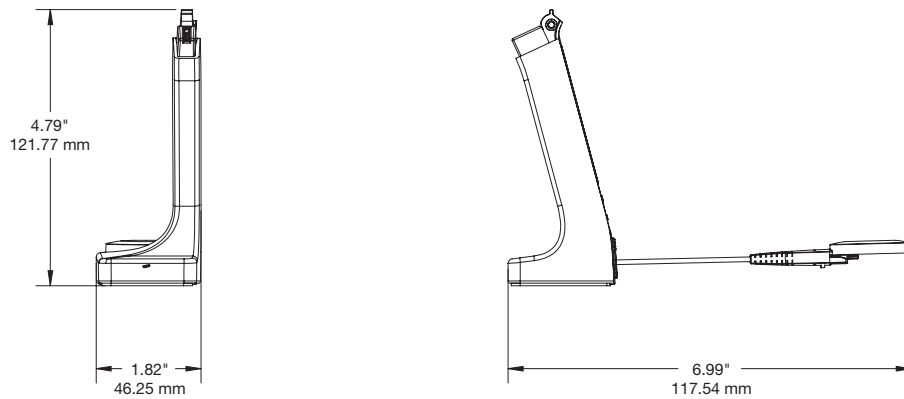


SPECIFICATIONS

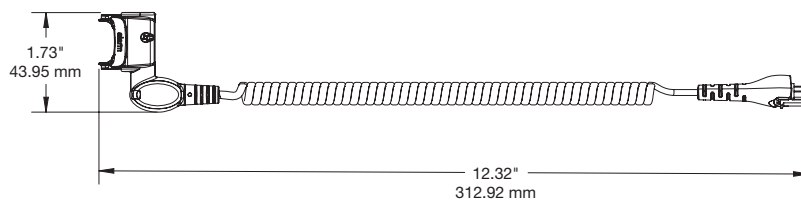
Alarm Unit (AC100):



WS1 Stand (AC110):

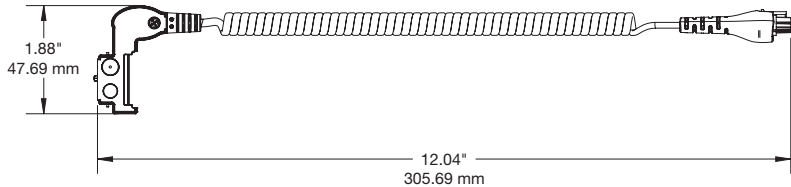


WS1 Gear Fit Sensor and Power Cradle (AC133):

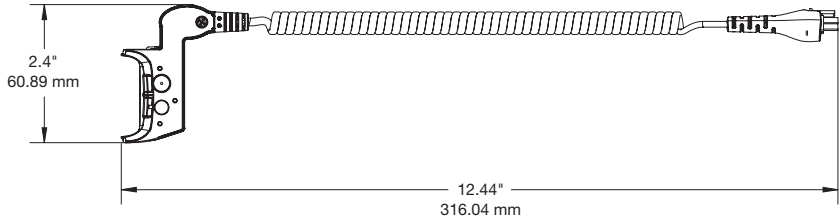


SPECIFICATIONS

WS1 Gear 2/Neo 2 Sensor and Power Cradle (AC134):

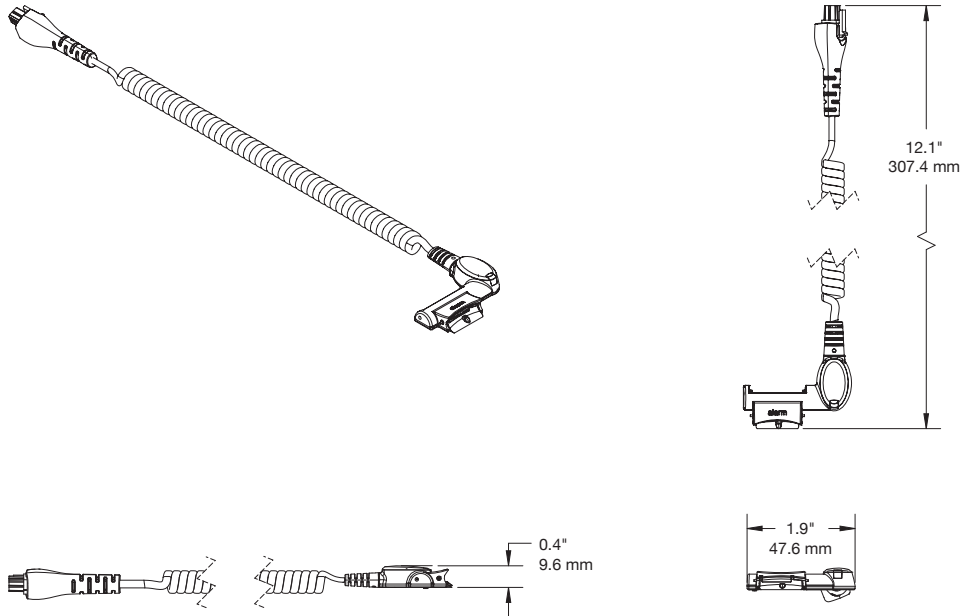


WS1 Gear S Sensor and Power Cradle (AC135):

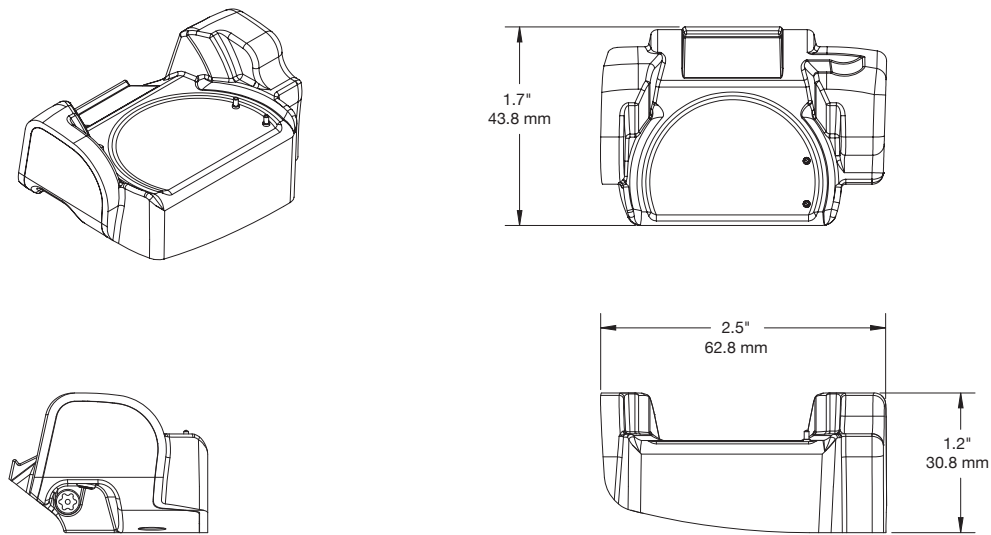


SPECIFICATIONS

WS1 LG Watch R Sensor (AC180):



WS1 LG Watch R Cradle (AC181):



PRODUCT ORDERING

ORDER CODE	DESCRIPTION	CARTON QTY.
AC100	Alarm Unit	32
AC110-W	WS1 Stand - White	32
AC111-W	WS1 Display Only Stand - White	32
AC112-W	WS1 Display Only Cradle - White	64
AC133-W	WS1 Gear Fit Sensor - White	32
AC134-W	WS1 Gear 2/Gear 2 Neo Sensor - White	32
AC135-W	WS1 Gear S Sensor - White	32
AC180-W	WS1 LG Watch R Sensor - White	32
AC181-W	WS1 LG Watch R Cradle - White	64
AC182-W	Zips Power Wearable Micro USB - White	64
ZA2402	Zips Clip Small, 3 Pack	32
ZA2403	Zips Clip Large, 3 Pack	32
PS513-US PS513-EU PS513-UK PS513-AUS	5.3V USB-A Power Supply - US 5.3V USB-A Power Supply - EU 5.3V USB-A Power Supply - UK 5.3V USB-A Power Supply - AUS	32
ADH2051	Replacement PSA S2800 Custom Smartwatch Stand	8
ADH2013	Zips Power Alarm Unit Replacement Adhesives	20

invue.com

©2018 InVue Security Products. No endorsement of InVue products has been made by any of the manufacturers of the products shown. Product is sold pursuant to InVue's warranty which can be found at www.invue.com/warranty.

THE AMERICAS 704.752.6513 • 888.55.INVUE
EUROPE, MIDDLE EAST & AFRICA +31.23.8900150
ASIA PACIFIC +852.3127.6811

