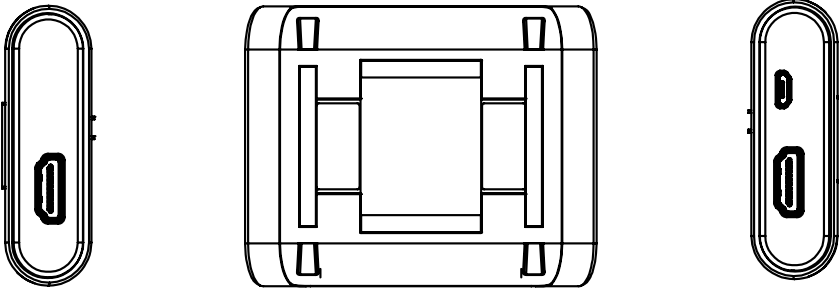
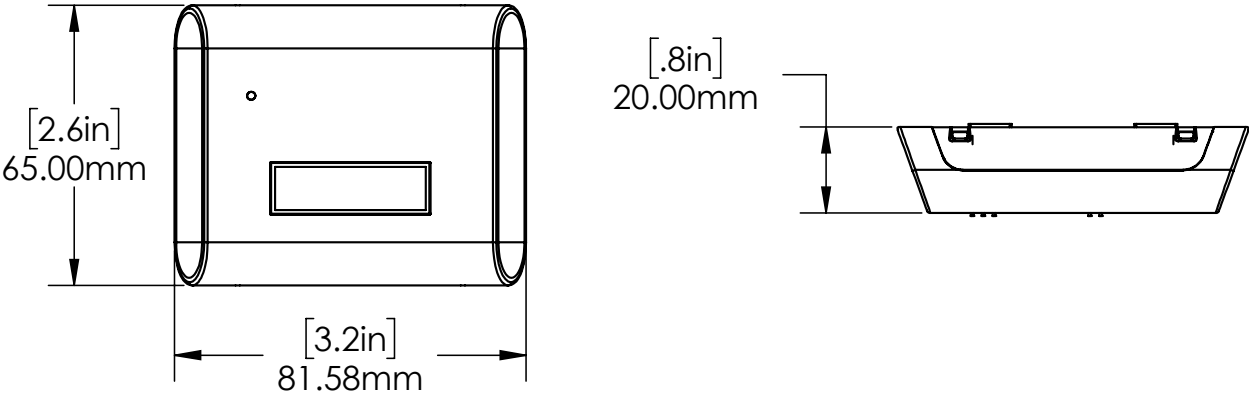


# TV Manager / Technical Specifications

## SPECIFICATIONS

InVue LIVE TV SENSOR (DBD704-B):



# TV Manager / Technical Specifications

## TV MANAGER

ORDER CODE	DESCRIPTION
DBD704-B	InVue LIVE TV SENSOR
DBD704-00	LIVE TV Sensor (902 MHz - 928 MHz)
DBD704-01	LIVE TV Sensor (855 MHz - 881 MHz)
DBD704-06	LIVE TV Sensor (AS 923 MHz)
DBD705-00	LIVE TV Sensor Interface Cables

## LIVE NETWORK

ORDER CODE	DESCRIPTION	NOTES
LI6000	LIVE Annual License Fee	Per Position
GATEWAYS	All InVue LIVE products will need the Annual License and a LoRaWAN Gateway to operate. Please consult the Gateway Spec Sheet to find the gateway for your specific region.	

©2021 InVue. No endorsement of InVue products has been made by any of the manufacturers of the products shown. Product is sold pursuant to InVue's warranty which can be found at [www.invue.com/warranty](http://www.invue.com/warranty).

**THE AMERICAS** 704.752.6513 • 888.55.INVUE

**EUROPE, MIDDLE EAST & AFRICA** +31.23.8900150

**ASIA PACIFIC** +852.3127.6811

