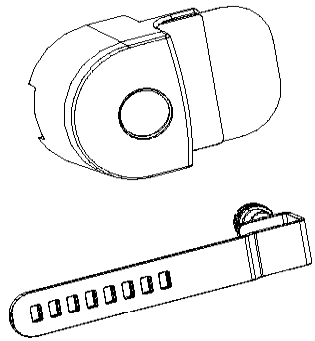
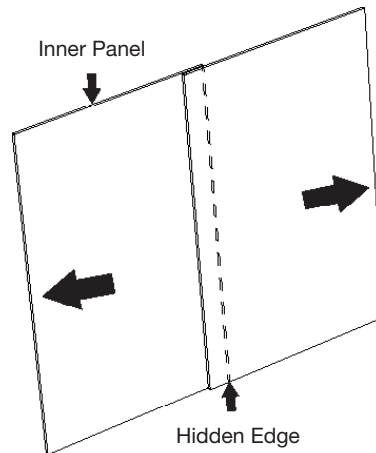


INVUE

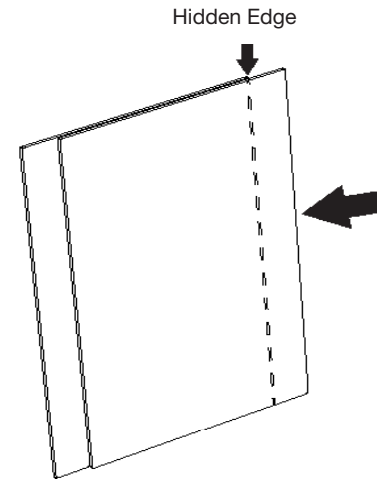
L410 Lock
PL801



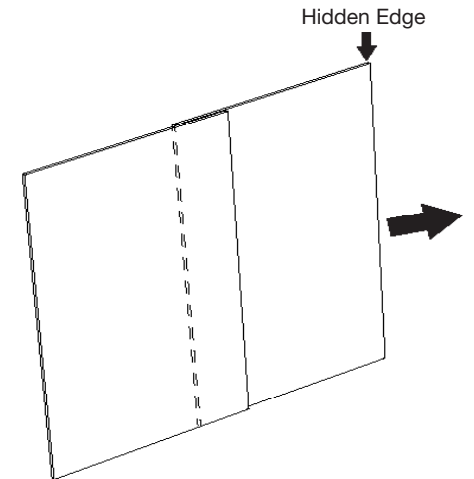
- 1 Fully close both glass panels and identify the inner glass panel.



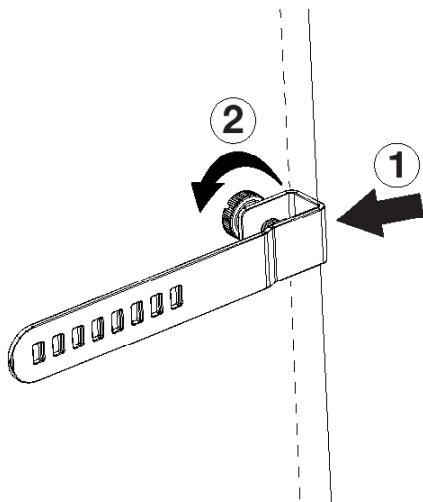
- 2 Open the outer panel fully.



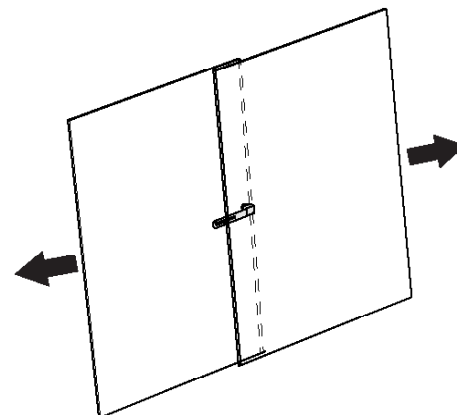
- 3 Move the inner panel out to have access to the hidden edge of the inner glass panel.



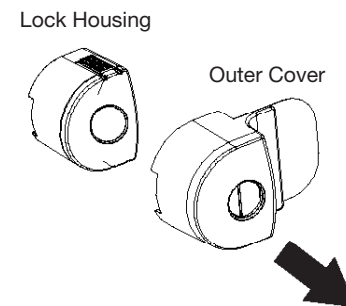
- 4 Slide strike plate over the edge of inner panel. Tighten screw.



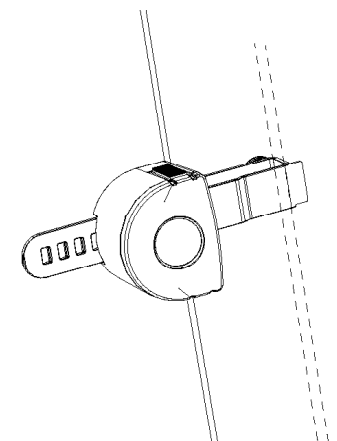
- 5 Fully close both glass panels.



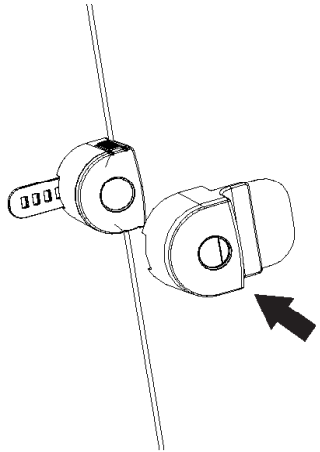
- 6 Separate outer cover from lock housing.



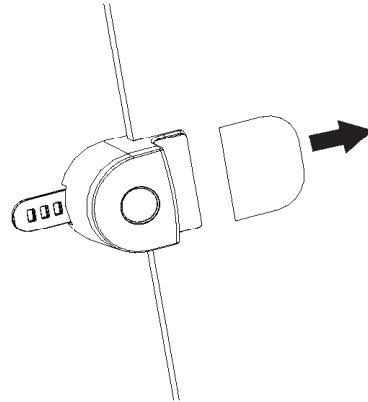
- 7 Slide lock housing completely onto strike plate. Confirm lock housing is pushed against edge of outer panel.



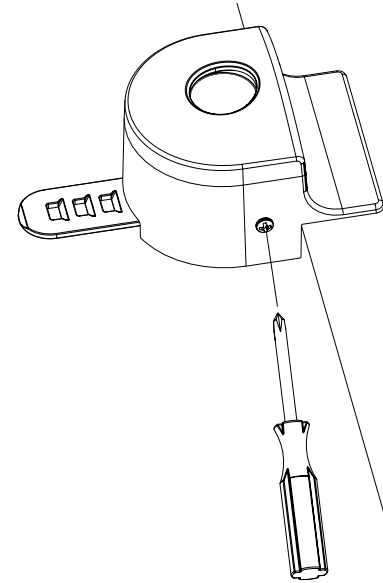
- 8 Slide outer cover onto lock housing until it rests against the surface of the outer glass panel.



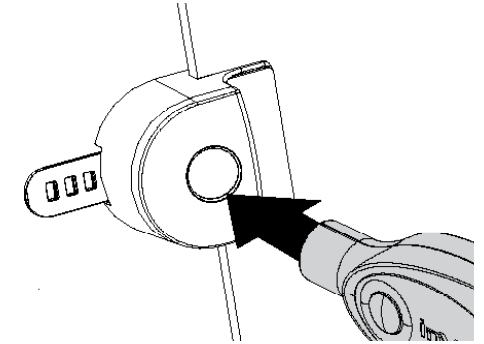
- 9 Press outer cover against outer glass panel to hold in place and pull adhesive tab. Press and hold adhesive against outer glass panel for 10 seconds.



- 10 Use screw driver provided to tighten set screw on outer cover. Do not over tighten.

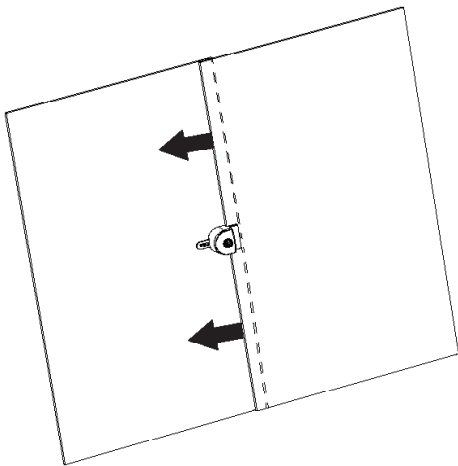


- Use:**
- 1 To unlock the L410 press IR2 or IR3 key into IR lens on front of lock housing and press the button. Wait for the IR2 or IR3 key to beep before removing key from IR lens.

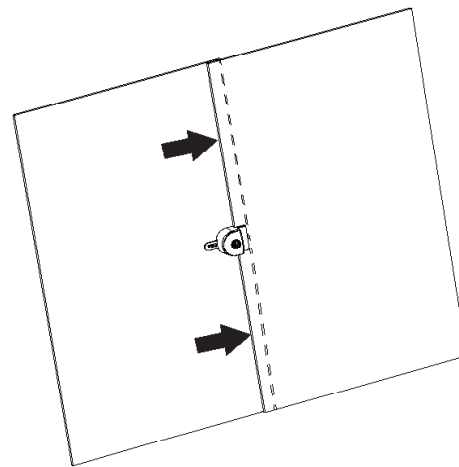


Note: If the key does not beep and makes a knock-knock sound it means the key was pulled away too soon. Try again and wait for the beep before pulling key away.

- 2 Within 3 seconds after key beep, open the outer glass panel using the L410 outer cover as a handle.



- 3 To lock the L410 slide the glass panels closed. The L410 will self latch into the locked position.



SD0383 Rev2 01/04/2017

invue

www.invue.com

NA / LATAM // 704.752.6513 • 888.55.INVUE

EMEA // +31.23.8900150

APAC // +852.3127.6811

© 2016 InVue Security Products Inc. All rights reserved.
InVue is a registered trademark of InVue Security Products.