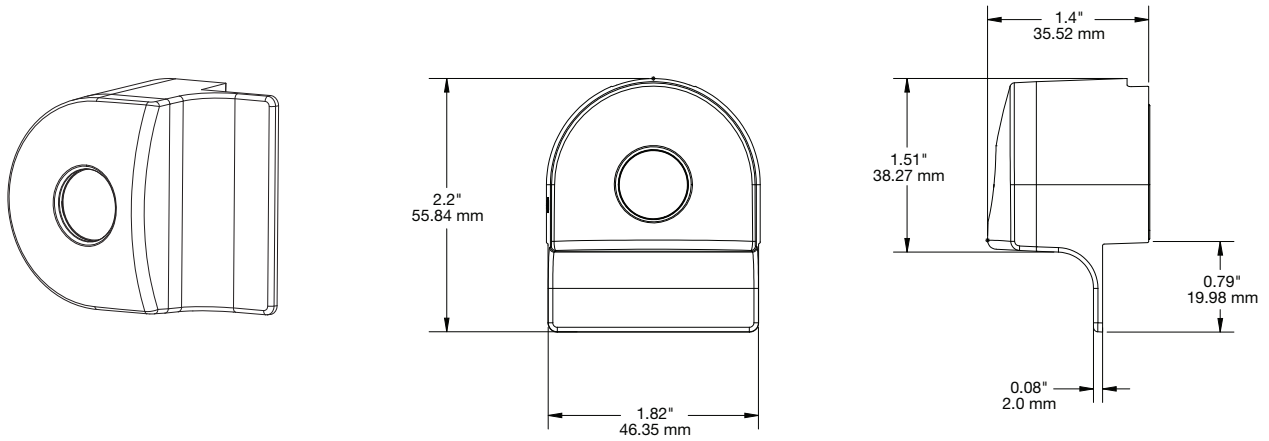
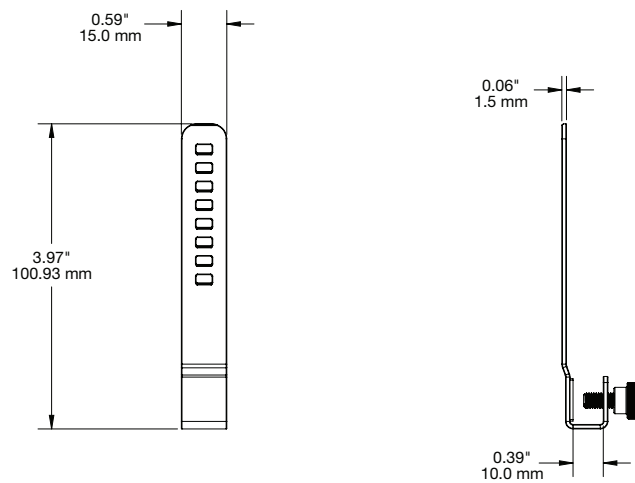


SPECIFICATIONS

L410 (PL801):

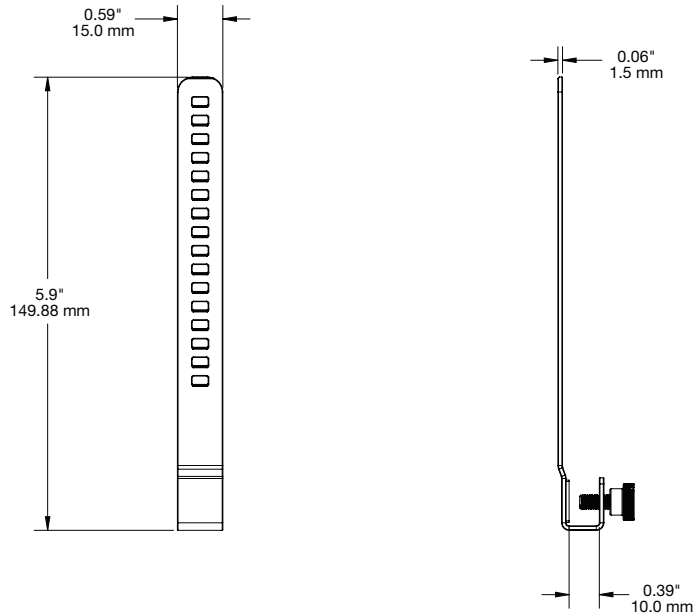


L410 Strike Plate, 22mm - 65mm (PL820-1):

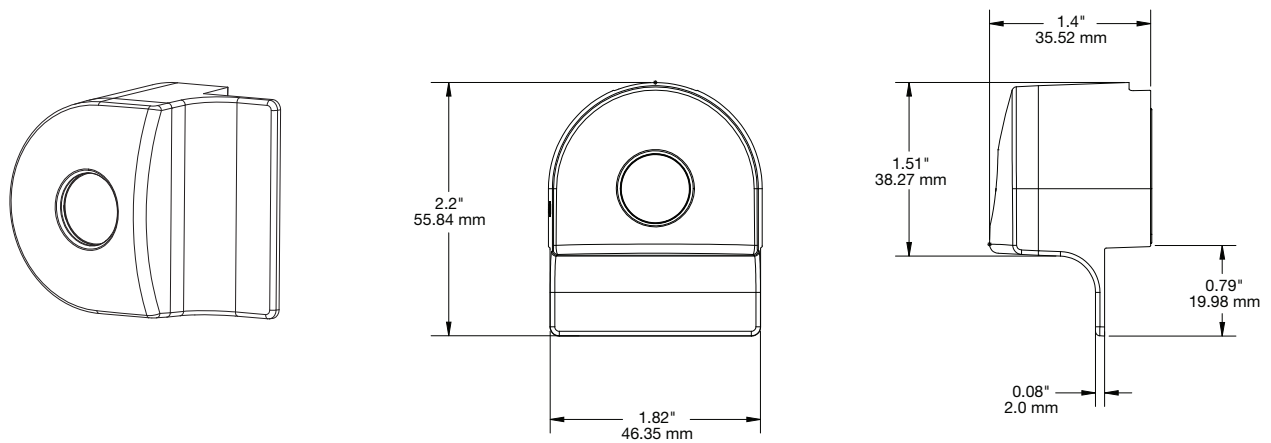


SPECIFICATIONS

L410 Strike Plate, 65mm - 110mm (PL820-2):



L410 Replacement Cover (PL842):



PRODUCT ORDERING

ORDER CODE	DESCRIPTION	NOTES	CARTON QTY.
PL801	L410	› Includes lock body and cover	25
PL820-1	L410 Strike Plate, 22mm - 65mm	› For panel overlaps 22mm to 65mm	25
PL820-2	L410 Strike Plate, 65mm - 110mm	› For panel overlaps 65mm to 110mm	25
PL842	L410 Replacement Cover (5 pack)	› Includes adhesive	25

invue.com

©2018 InVue Security Products. No endorsement of InVue products has been made by any of the manufacturers of the products shown. Product is sold pursuant to InVue's warranty which can be found at www.invue.com/warranty.

THE AMERICAS 704.752.6513 • 888.55.INVUE
EUROPE, MIDDLE EAST & AFRICA +31.23.8900150
ASIA PACIFIC +852.3127.6811

